

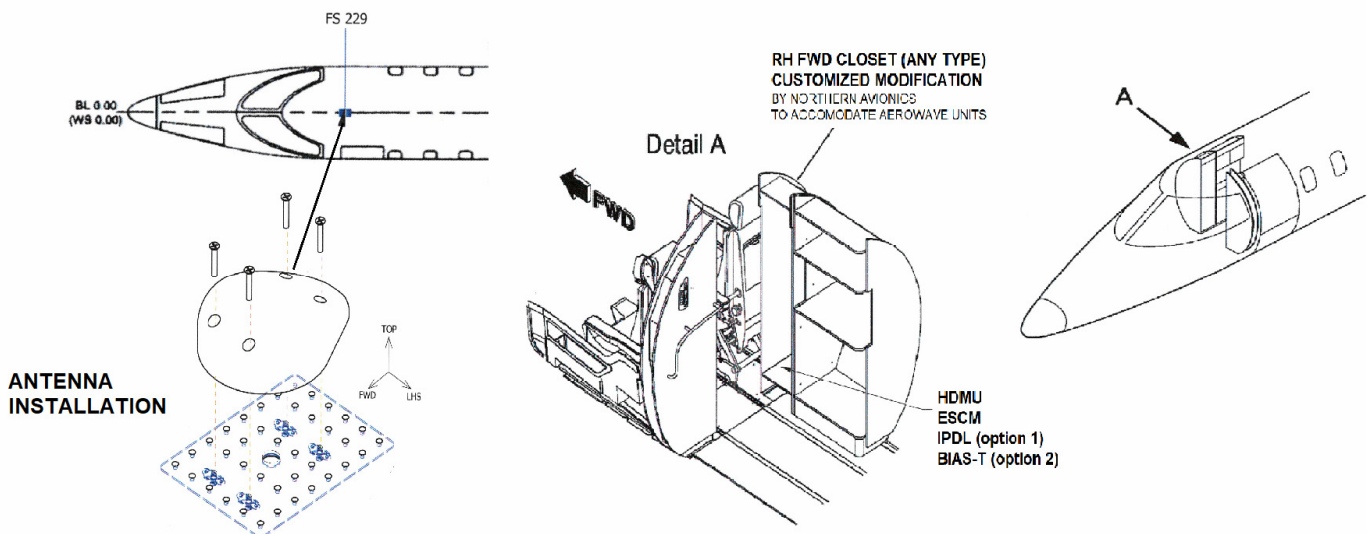
Satcom Connectivity STC – Information Leaflet

- EASA STC 10055274 AeroWave 100 for Learjet 45
- Honeywell AeroWave 100 System can provide access to Inmarsat I-4 satellite network
- Small and light-weight SATCOM system to interface an on-board Wi-Fi IFE system (RJ-45 interface)
- Simultaneous Data calls/Internet use and Voice call granted by Inmarsat as SSB Class 15 services
- EASA STC 10055274 allows to use the two options available for AeroWave 100:
 - ❖ Option 1 with LGA Antenna, standard system
 - ❖ Option 2 with Active LGA Antenna, providing GPS NAV Data in addition (RS-232 interface)
- Customized modification of RH FWD Cabinet to accommodate the AeroWave units.

Honeywell AeroWave 100 – Main Components

<i>Option 1 LGA Antenna</i>		<i>Option 2 Active LGA Antenna</i>	
HDU	90402045	HDU	90402045
ESCM	1252-A-4120-01	ESCM	1252-A-4120-01
IPLD	1541-A-200	BIAS-T	89000015-008
LGA	AT1675-180W-TNFC(-)	Active LGA	89000015-009

Honeywell AeroWave 100 locations:



Extract from AeroWave100 Honeywell System Installation Manual, to show the main difference between the two available options.

Figure 3-1 illustrates the LRUs (HDU, IPLD, ESCM, Antenna-LGA) and provides an overview of the major wiring routes.

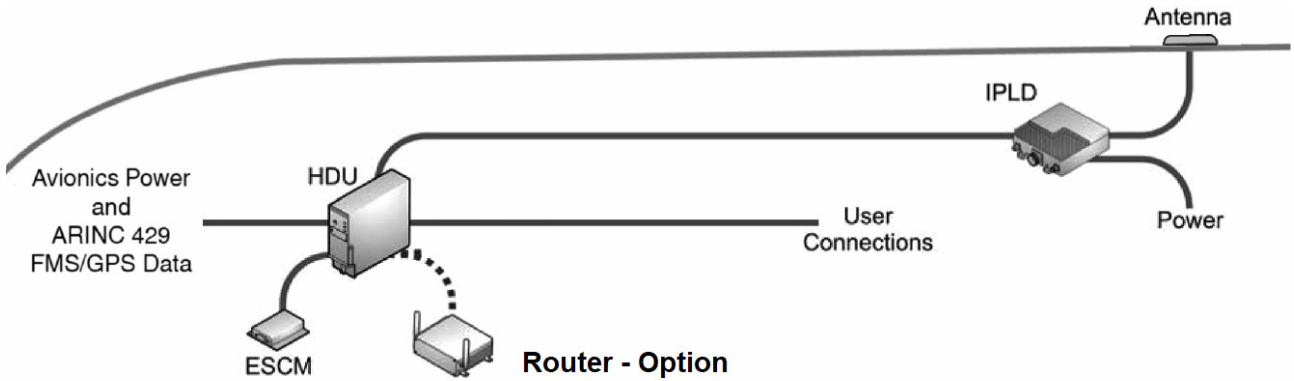


Figure 3-1. BendixKing AeroWave™ 100 LGA System Installation Overview

Figure 3-2 illustrates the LRUs (HDU, Bias-T, ESCM, Antenna- Active LGA) and provides an overview of the major wiring routes.

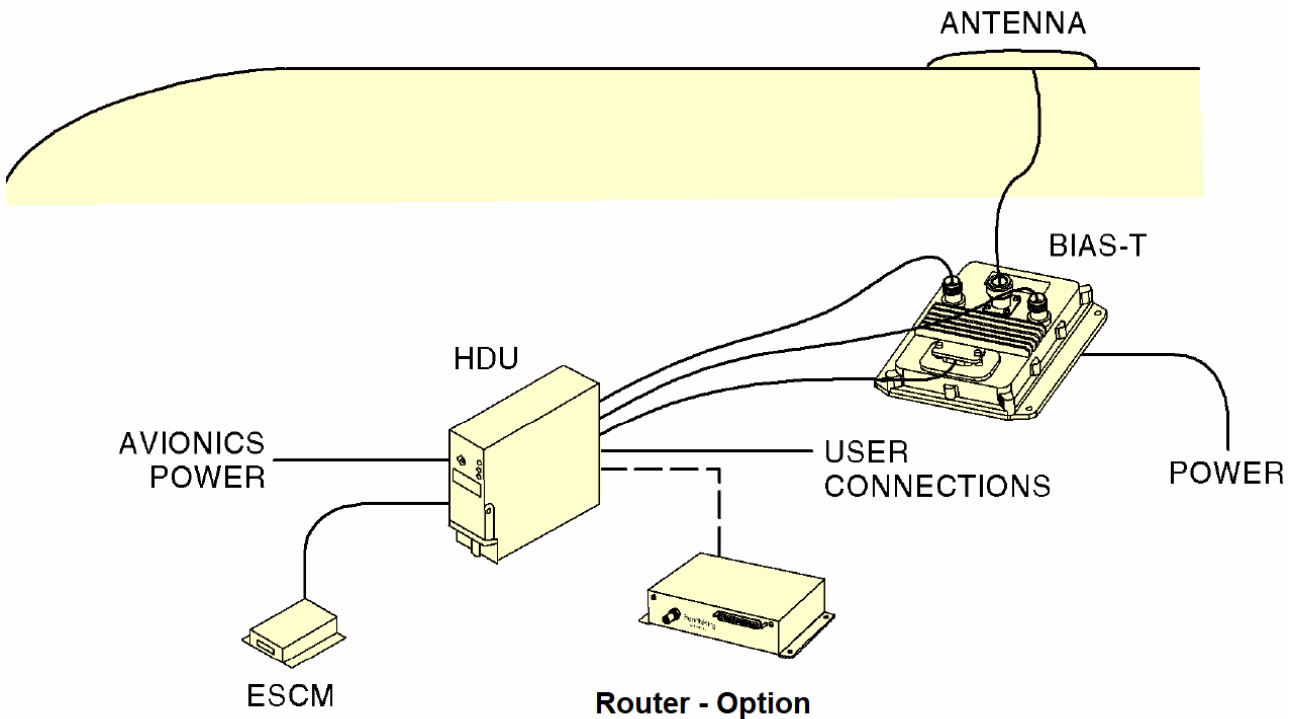


Figure 3-2. BendixKing AeroWave™ 100 Active LGA System Installation Overview

SUPPLEMENTAL TYPE CERTIFICATE

10055274

This Supplemental Type Certificate is issued by EASA, acting in accordance with Regulation (EC) No. 216/2008 on behalf of the European Community, its Member States and of the European third countries that participate in the activities of EASA under Article 66 of that Regulation and in accordance with Commission Regulation (EU) No. 748/2012 to:

NORTHERN AVIONICS S.R.L.

**VIALE DELL' AVIAZIONE 65
20138 MILANO
ITALY**

and certifies that the change in the type design for the product listed below with the limitations and conditions specified meets the applicable Type Certification Basis and environmental protection requirements when operated within the conditions and limitations specified below:

Original Type Certificate Number: EASA.IM.A.020

Type Certificate Holder: LEARJET INC.

Type: LEARJET 45

Model: 45 (LEARJET 45)

Description of Design Change:

Aerowave 100 (In-Flight Internet/Satcom)

EASA Certification Basis:

The Certification Basis for the original product as amended by the following additional or alternative airworthiness requirements:

CS 25 Amdt. 14

The requirements for environmental protection and the associated certified noise and/ or emissions levels of the original product are unchanged and remain applicable to this certificate/ approval.

See Continuation Sheet(s)

For the European Aviation Safety Agency

Date of Issue: 28 October 2015



Alain LEROY

Head of Large Aeroplanes Department

10034593

SUPPLEMENTAL TYPE CERTIFICATE - 10055274 - NORTHERN AVIONICS S.R.L. - 302913

